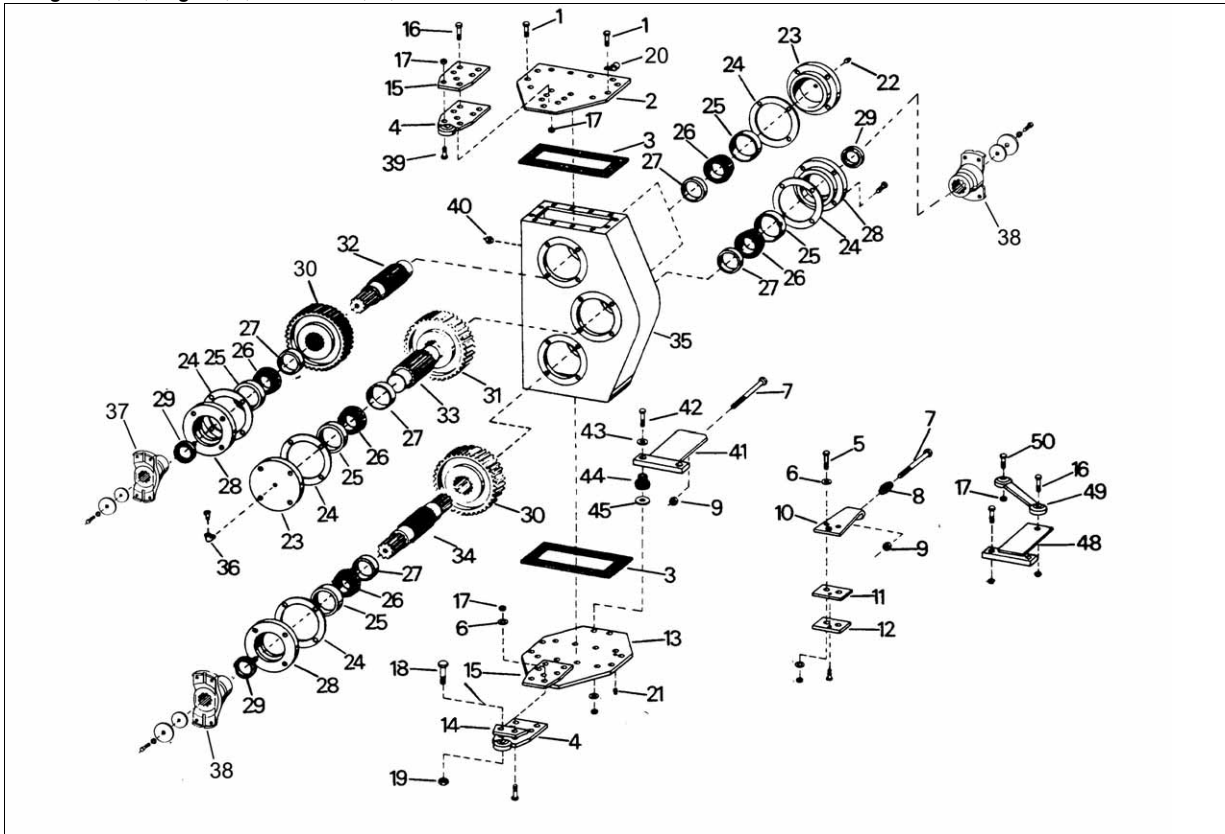


# Single Speed Swinging Transfer Case

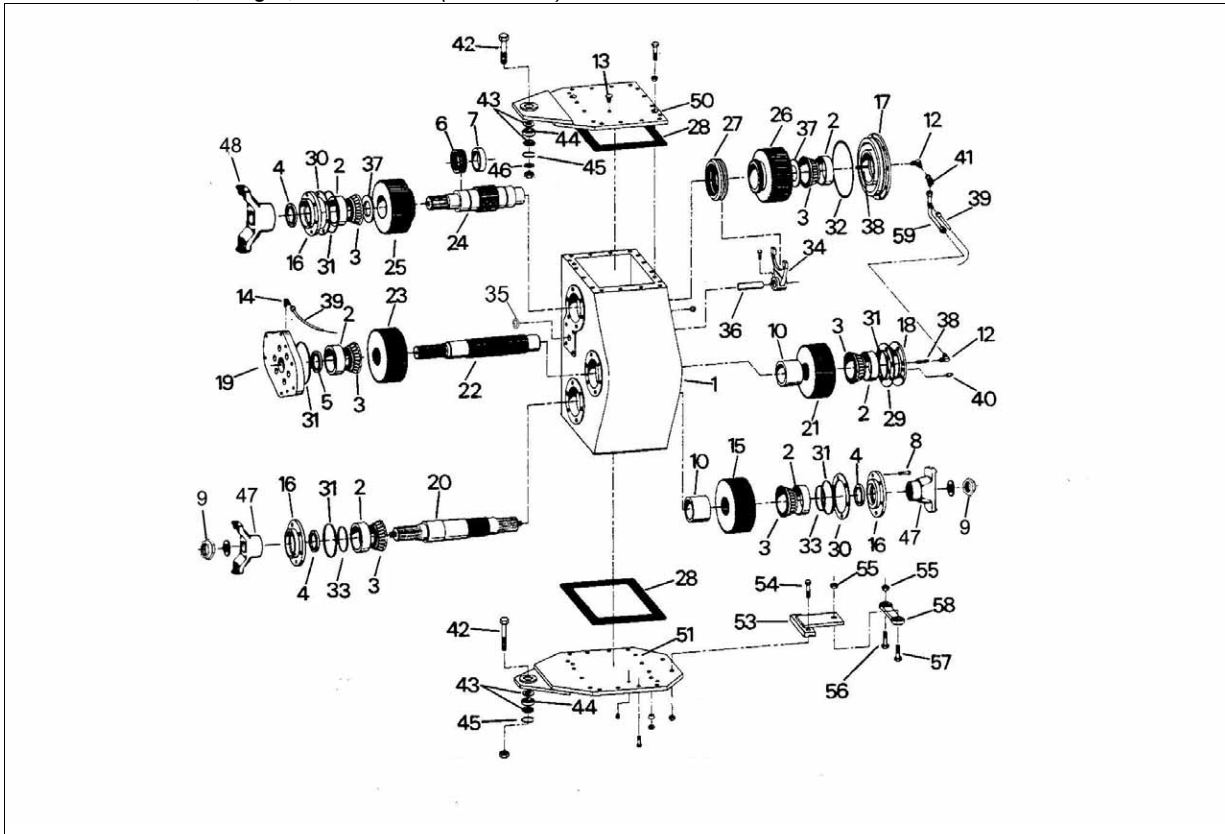
Cougar I,II,III; Tiger I,II; Panther II,III, and IH 4568 & 45/4786



View	Part	Description
	35-1060RM	Asm, Reman Transfer Case (1spd)
25	14-151B	Bearing Cup
26	14-152B	Bearing Cone
27	52-135B	Spacer, Gear
29	14-153B	Seal
30	42-049B	Gear, Top & Bottom
31	42-071B	Gear, Center
32	52-133B	Shaft, Top
33	52-132B	Shaft, Center
34	52-134B	Shaft, Bottom
37	17-135B	Yoke, Input (01-2210)
38	01-2209B	Yoke, Output

# Two Speed Swinging Transfer Case

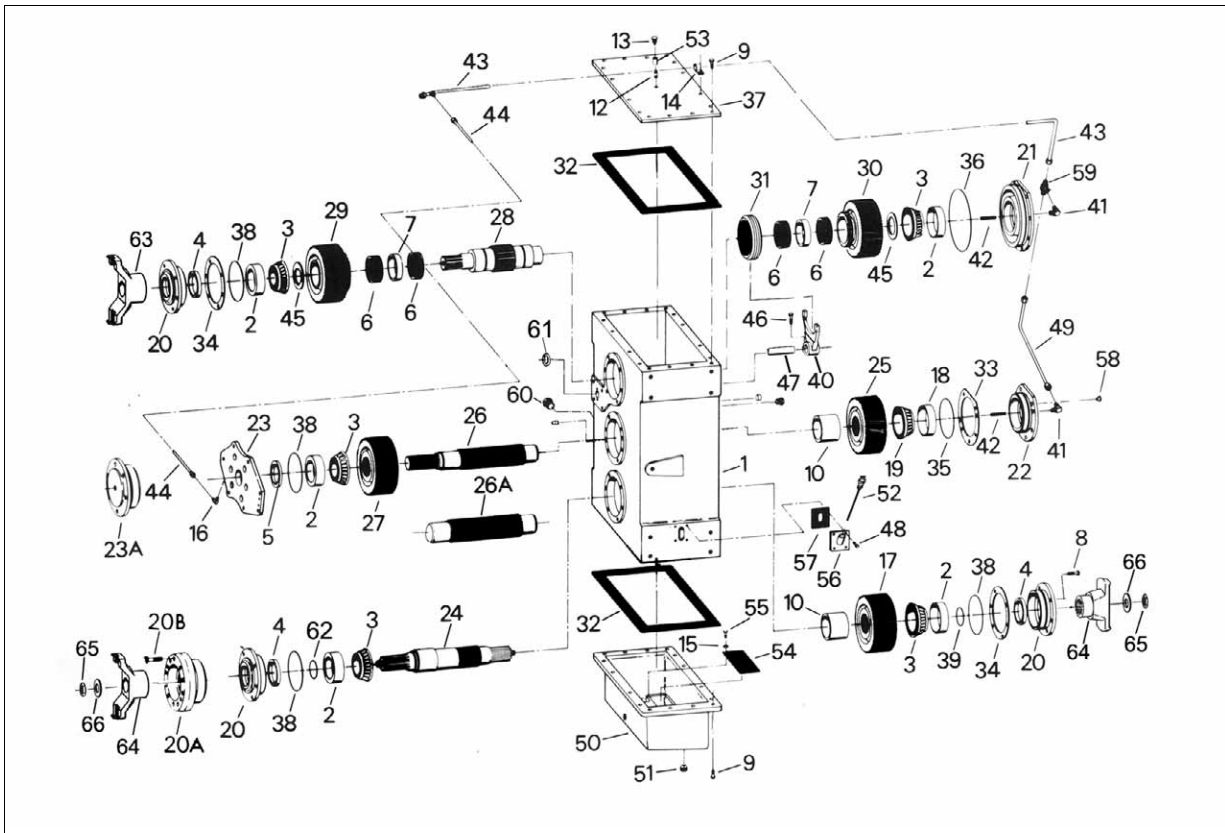
Series III: Bearcat, Cougar, and Panther (BSN 2000)



View	Part	Description
	TC0001RM	Asm, Reman Transfer Case (2spd swinging)
2	01-2255B	Bearing Cup
3	01-2256B	Bearing Cone
4	14-153B	Seal
5	01-2287B	Seal
6	01-2273B	Bearing, Caged Roller (x4)
9	14-59B	Nut
15	01-2268B	Gear, Bottom
20	01-2306B	Bottom Shaft
21	01-2291B	Gear, Center
22	01-2292B	Shaft (or 01-6967)
23	01-2282B	Gear, Center
24	01-2307B	Top Shaft
25	01-2316B	Gear, Top
26	01-2310B	Gear, Top
27	90-2216B	Collar, 2spd Shift (1-2258)
34	01-2550B	Fork, 2spd Shift
35	01-1850B	Seal, Shift Rod
36	01-3550B	Rod, 2 Speed Shift
44	01-3583B	Uniball
47	01-2209B	Yoke, Output
48	17-135B	Yoke, Input (01-2210)

# Stationary Style Transfer Case

Series III-IV: PT/PTA and all Ford FW models



View	Part	Description
	90-2776RM	Asm, Reman Transfer Case (Auto Trans, Caliper Brake)
	90-2775RM	Asm, Reman Transfer Case (Man Trans, Caliper Brake)
	TC0002RM	Asm, Reman Transfer Case (PT, Multi-disk Brake)
	TC0003RM	Asm, Reman Transfer Case (PTA, Multi-disk Brake)
2	01-2255B	Bearing Cup
3	01-2256B	Bearing Cone
4	14-153B	Seal
5	01-2287B	Seal (multidisk brake)
6	01-2273B	Bearing, Caged Roller (x4)
17	01-2268B	Gear, Bottom
18	01-3364B	Bearing Cup
19	01-3365B	Bearing Cone
23	01-3361B	Cap, Brake Mount & Bearing
24	01-2306B	Shaft, Bottom (not for use with 26A)
25	01-2291B	Gear, Center
26	01-6966B	Shaft, Center
26	90-1817B	Shaft, Center (26A)
27	01-2282B	Gear, Center
27	01-3289B	Gear, Center (PTA, 70T)
28	01-2307B	Shaft, Top
29	01-2316B	Gear, Top
29	01-3288B	Gear, Top (PTA, 31T)
30	01-2310B	Gear, Top
31	90-2216B	Collar, 2spd Shift (1-2258)
40	01-2550B	Fork, 2spd Shift
47	01-4801B	Rod, 2 Speed Shift
61	01-1850B	Seal, Shift Rod
62	90-1869B	Oring
63	01-6992B	Yoke, Input
64	01-2209B	Yoke, Output
65	14-59B	Nut