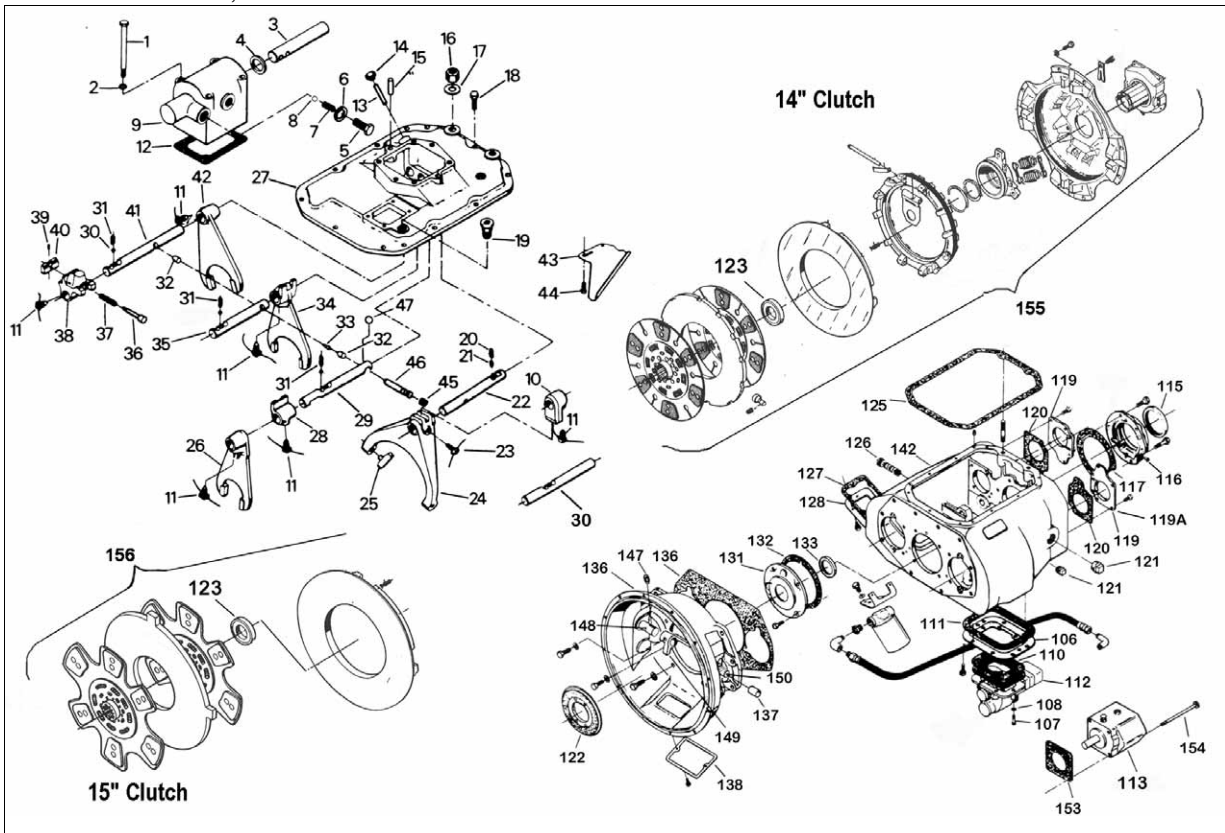


Spicer Transmission, Cover

Series I-IV & IH 4568, 45/4786:

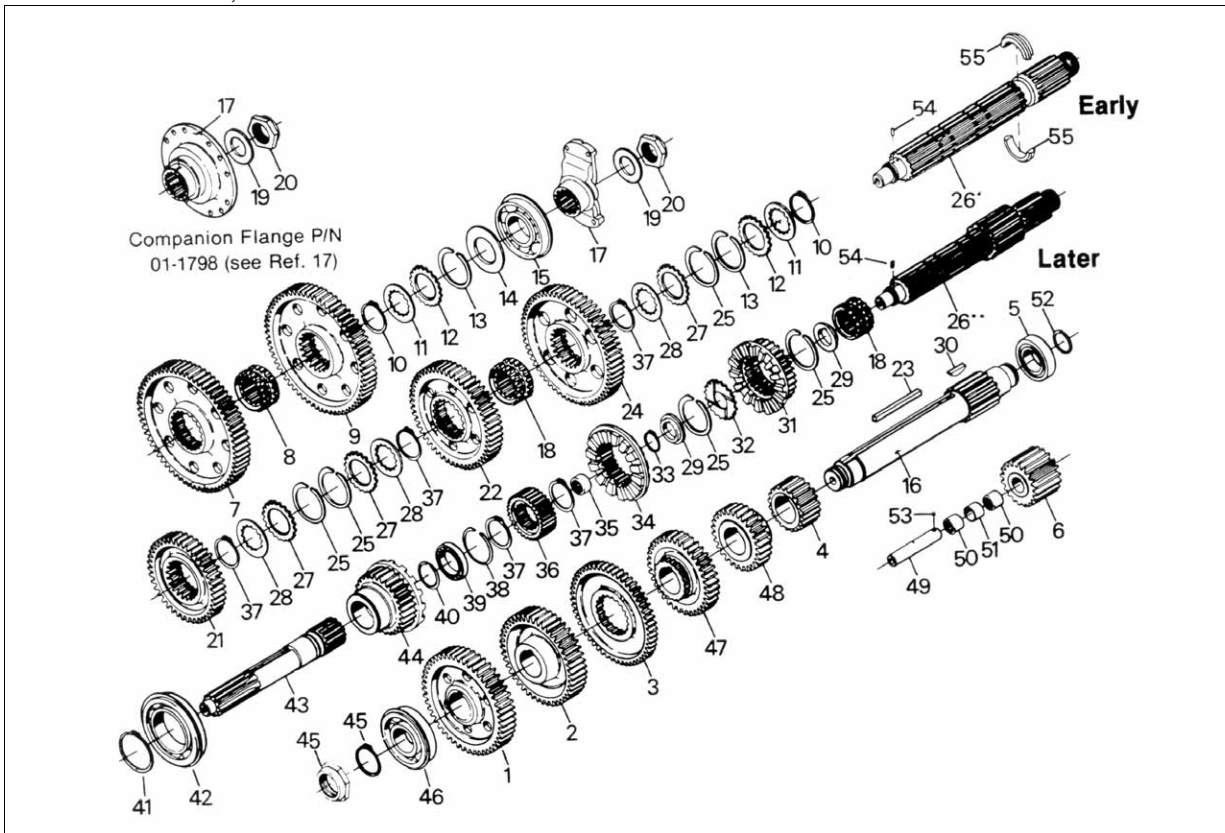


View	Part	Description
	312475-16X	Kit, Gasket
20	18-72-2	Spring, Shift Rod Stop Pin
21	97-438-5	Pin, Stop (2sp Rod)
22	97-67-5	Rod, Shift Splitter
25	97-486-1	Shoe, Shifter Fork
26	97-66-11	Fork, Shift (7/8, 9/10)
29	97-67-132-2X	Rod, Shift (7/8, 9/10, Neutral Start)
30	97-67-87-2X	Rod, Shift (7/8, 9/10)
31	97-72-11	Spring, Shift Rod Detent
34	97-66-24	Fork, Shift (3/4, 5/6)
35	97-67-86-3X	Rod, Shift (3/4, 5/6)
41	97-67-82-2X	Rod, Shift (1/2/Rev.)
42	97-66-48	Fork, Shift (1/2/Rev)
112	90-7533B	Pump Asm (Btm Mt)
113	313292-1X	Pump Asm (Rr Mt)
115	97-463-33	Seal, Rear (output)
119	97-22-10	Flange (rear mt pump)
122	1968227C1B	Clutch Brake (13-178, 1.75")
122	797700C1B	Clutch Brake (13-194, 2")
123	69983C91B	Bearing, Pilot (14"/15" clutches)
126	97-39-1	Magnetic Plug
131	97-19-1-1X	Cap, Front Bearing
133	97-463-32	Seal, Front (input)
136	97-518-15-2	Clutch Hsg. (3406 Cat engine)
136	312795X	Housing, Clutch (all except 3406, & IH)
137	128C-20	Bushing (upper holes)
148	106C-1185	Shaft, Short (5.25")
149	105C-137	Yoke, Release
150	106C-939	Shaft, Long (10", Series I / II)
150	106C-1046	Shaft, Long (9", Series III / IV)
155	1997780C2RB	Clutch Kit (14", including 122 & 123)
156	1997782C2RLDB	Clutch Kit (15.5", incl 122 & 123, early 3406)*
156	1997782C2RB	Clutch Kit (15.5", including 122 & 123, Heavy Duty)*

Note:*The 15.5" clutch sold by BTP is heavier than the original. It is interchangeable with the std clutch on all models except the early 3406 models indicated by the letter "A" following the model designation 3406.

Spicer Transmission, Gears and Shafts

Series I-IV & IH 4568, 45/4786:

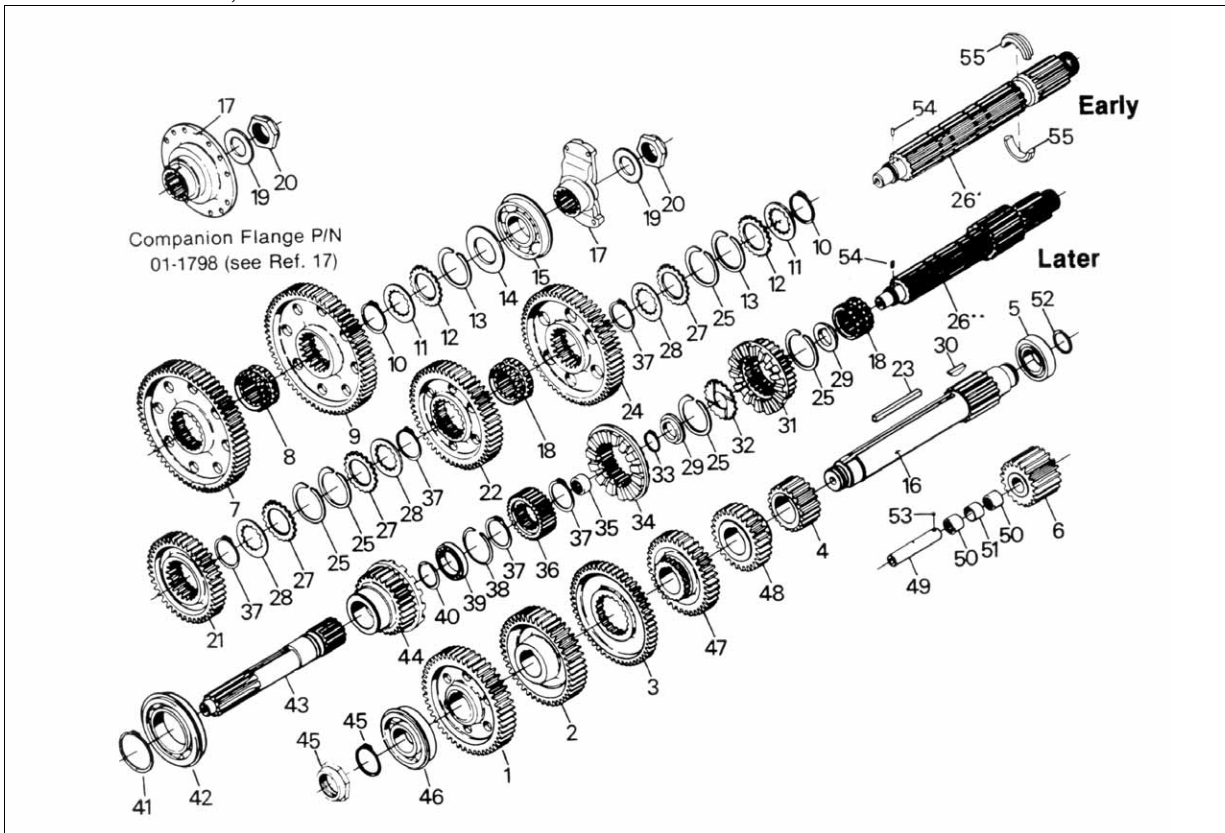


View	Part	Description
	90-2250RM	Asm, Reman 1010-2A Transmission (1-3/4")
	90-2251RM	Asm, Reman 1010-2A Transmission (2")
	90-4396RM	Asm, Reman 1010-3B Transmission (2")
	313432-43X	Kit, Bearing (bearings, gaskets, seals, and snap rings)
	313024-1X	Kit, Snap Ring
	313401-5X	Thrust Washer Kit (Early Ser. See item 26*)
	313401-6X	Thrust Washer Kit (Late Ser. See item 26**)
1	97-1-7	Gear, C/S Hi Splitter (3B)
1	97-1-5	Gear, C/S Lo Splitter (2A)
2	97-196-30	Gear, C/S Hi Splitter (2A)
2	97-196-35	Gear, C/S Lo Splitter (3B)
3	97-312-1	Gear, PTO Drive (w/Btm Mt P)
4	97-196-29	Gear, C/S (3/4)
5	550887	Bearing, C/S Rr
6	97-5-1	Gear, Reverse Idler
7	97-8-113	Gear, M/S (1/2)**
7	97-8-2	Gear, M/S (1/2){-USED-}*
8	97-465-21	Collar, M/S (1/2/Rev)*
8	97-465-20	Collar, M/S (1/2/Rev)**
9	97-8-111	Gear, M/S (Rev)
9	97-8-1	Gear, M/S (Rev, 399619C1){-USED-}*
11	330892	Thrust Washer (int spline, large, thick)**
11	330730	Thrust Washer (small, internal tooth)*
12	330891	Thrust Washer (ext spline, large, thick)**
12	330731	Thrust Washer (small, external tooth)*
14	330733	Thrust Washer (small, m/s)*
14	330893	Thrust Washer**
16	97-30-61	Countershaft (LH w/Rr Mt P)
16	97-30-19-1X	Countershaft (ST280/325/325CP)
17	60-371B	Yoke, Transmission
18	97-465-21	Collar, M/S
19	330734	Washer
20	545047	Nut**
21	97-8-32	Gear, M/S (7/8)

Note: *Used on early model tractors (prior to July 76). **Used on later model tractors (after July 76)

Spicer Transmission, Gears and Shafts

Series I-IV & IH 4568, 45/4786:



View	Part	Description
	22	97-8-30 Gear, M/S (5/6)
	23	98-210-2 Key
	24	97-8-124 Gear, M/S (3/4, Replaces 97-8-28)
	26	97-362-35 Large Mainshaft**
	26	97-362-18-1X Small Mainshaft*
	27	330731 Thrust Washer (12-1422B)*
	27	330814 Thrust Washer (ext spline, small, thick)**
	28	330730 Thrust Washer*
	29	330752 Thrust Washer (brass)
	30	500010-8 Key
	31	97-8-34 Gear, M/S (9/10)
	32	330751 Thrust Washer (grooved)
	34	97-465-26 Collar, Splitter
	35	550889 Bearing, Input Shaft Pocket
	36	97-466-3 Gear, Clutch
	39	550891 Bearing, Input Shaft (Rr)
	42	550924 Bearing, Input
	43	97-35-8 Input Shaft (1.75"; 3306 & 903 w/320)
	43	97-35-9 Input Shaft (2"; 3406, 855, & 903 w/350)
	44	97-35-6 Drive Gear (26T, 2A)
	44	97-35-27 Drive Gear (36T, 3B)
	46	550031 Bearing, C/S Fr
	47	97-196-86 Gear, C/S (7/8, w/Rr Mt P =2, w/Btm Mt P =1)
	47	97-196-27 Gear, LH C/S (7/8, only w/Btm Mt P =1)
	48	97-196-25 Gear, C/S (5/6)
	49	97-60-1 Shaft, Reverse Idler
	54	330750 Pin
	55	330737 Split Ring (m/s)

Note: *Used on early model tractors (prior to July 76). **Used on later model tractors (after July 76)