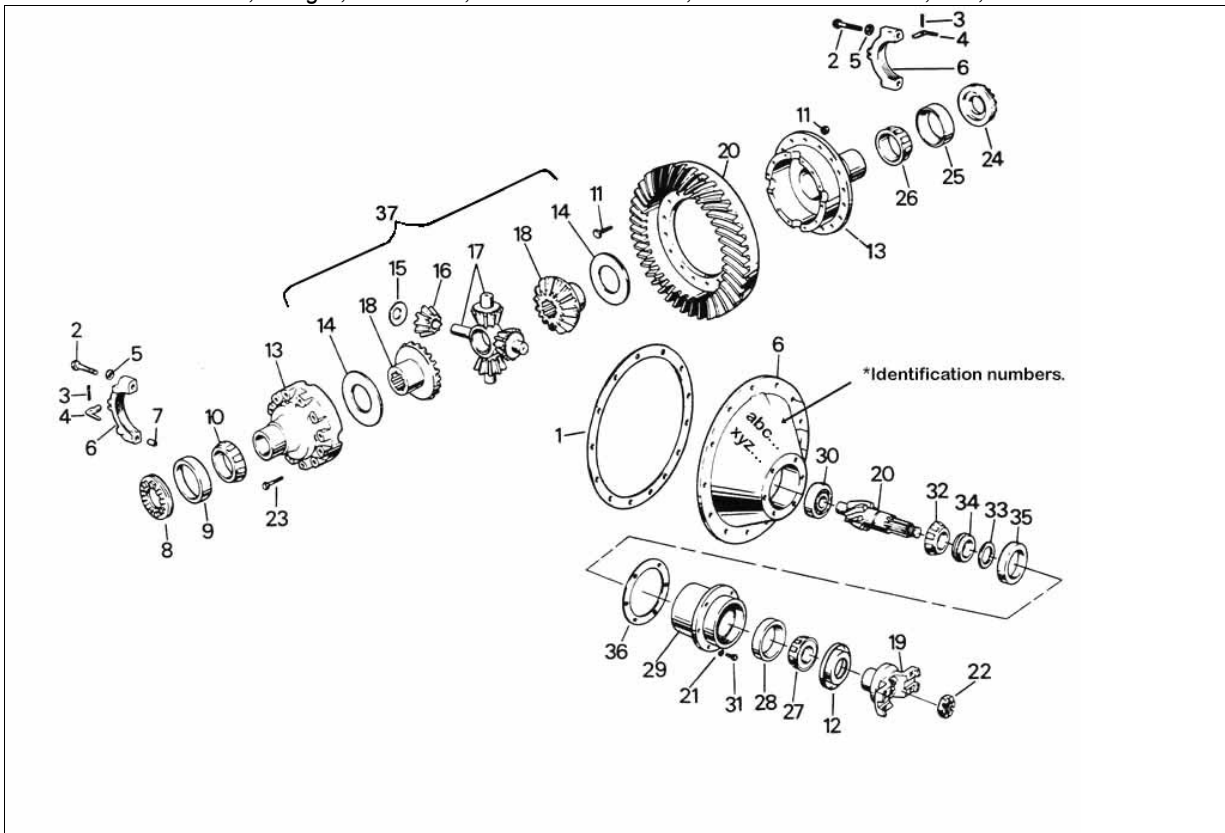


S-34/40 Differential and Carrier Assembly

Series III & IV: Bearcat, Cougar, Panther III, all Ford FW models, and VERSATILE 895, 935, & 950

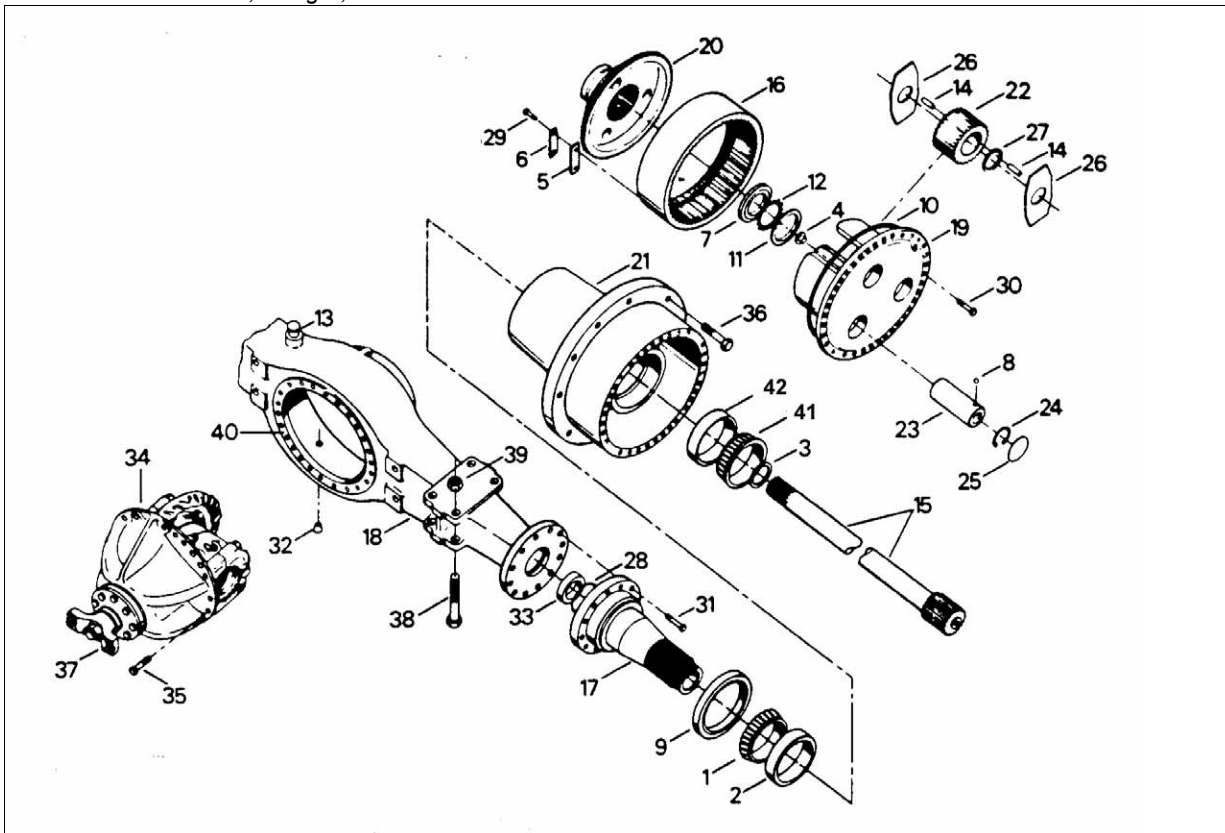


View	Part	Description
	98611-22	Asm, Carrier and Internals S-34 (items 13-18, 22 splines)
	98611-36	Asm, Carrier and Internals S-40 (items 13-18, 36 splines)
	90-1844RM	Asm, Reman Diff (Fr, 22 splines)
	90-1877RM	Asm, Reman Diff (Fr, 36 splines)
	90-1843RM	Asm, Reman Diff (Rr, 22 splines)
	90-1878RM	Asm, Reman Diff (Rr, 36 splines)
	S-9554B	Kit, Bearing and Seal
12	16-60B	Seal, Pinion
19	01-5513B	Yoke, Diff
20	01-2029B	Gear Set, Ring & Pinion (Fr)
20	01-2028B	Gear Set, Ring & Pinion (Rr)
37	01-4742B	Kit, NoSpin S-34 (22spl, 23120)
37	90-4045B	Kit, NoSpin S-40 (36spl, 23120)
37	35-1213B	Kit, S-34 Differential (22 splines, items 14-18)
37	35-1375B	Kit, S-40 Differential (36 splines, items 14-18)

Note: * Please record these 2 numbers to accurately identify your differential.

S-34 and S-40 Axles

Series III & IV: Bearcat, Cougar, Panther III and all Ford FW models



View	Part	Description
	S43405RM	Asm, Reman Final Drive (S-34, w/shaft)
	S43406RM	Asm, Reman Final Drive (S-40, w/shaft)
	90-4010RM	Asm, Reman S-34 Axle (Fr)
	90-4011RM	Asm, Reman S-34 Axle (Rr)
	90-2658RM	Asm, Reman S-40 Axle (Fr)
	90-2659RM	Asm, Reman S-40 Axle (Rr)
1	01-1357B	Bearing Cone*
2	01-1358B	Bearing Cup*
9	90-3839B	Seal
11	01-1349B	Nut, Spindle
12	01-1363B	Washer, Tab Lock
14	01-1354B	Bearing, Planetary Needle (48/gear)
15	01-1403B	Shaft, 22 Splines (S-34)
15	90-1820B	Shaft, 36 Splines (S-40 and a few Late S-34)
16	01-1400B	Gear, Ring
22	01-1399B	Gear, Planet
23	01-1353B	Pin, Planet
26	01-3093B	Plate, Thrust
41	16-755B	Bearing Cone (S-40 only)*
42	16-1206B	Bearing Cup (S-40 only)*

Note: *S-34 hubs each use 2 of view no. 1 & 2, but a S-40 hub uses only 1 of view no. 1 & 2 and then 1 of view no. 41 & 42.