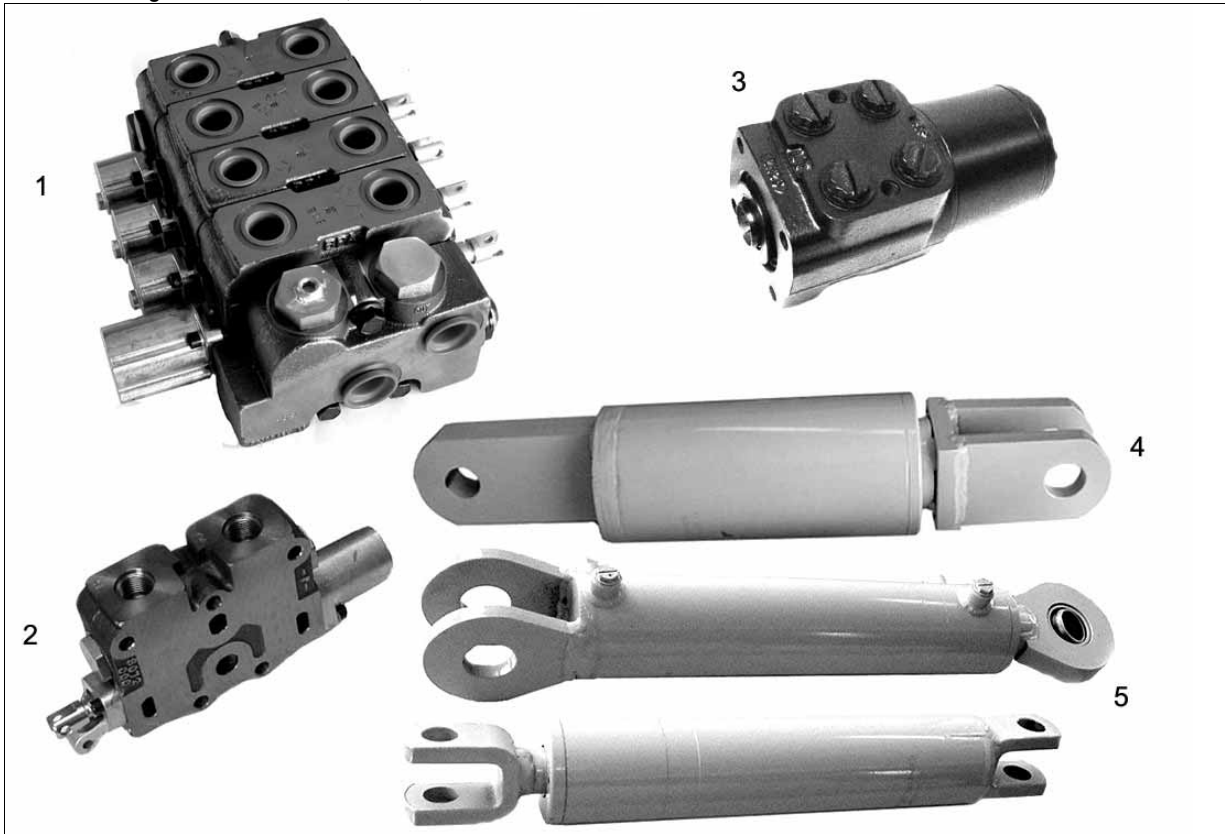


Hydraulic Components

Series I through IV and IH 43XX, 45XX, & 47XX models



View	Part	Description
	35-1059B	Kit, Valve Seal (1/valve section)
1	18-460SSB	Valve Bank Asm, Hydraulic (1 float, 1 sprng cntr)
1	50-1398SSB	Valve Bank Asm, Hydraulic (1 float, 2 sprng cntr)
1	50-1398B	Valve Bank Asm, Hydraulic (1 float, 2 w/detent)
1	50-1396B	Valve Bank Asm, Hydraulic (1 float, 3 w/detent)
1	50-1397B	Valve Bank Asm, Hydraulic (1 float, 4 w/detent)
1	50-1397SSB	Valve Bank Asm, Hydraulic (1 float, 4 w/spring center)
1	50-1396SSB	Valve Bank Asm, Hydraulic (1float, 3w/spring center)
2	50-1981MDB	Valve, Hydraulic (Manual Det)
2	50-1981SSB	Valve, Hydraulic (spring center, w/o float)
2	50-1981B	Valve, Hydraulic (w/detent)
2	50-1979B	Valve, Hydraulic (w/float)
3	50-3615B	Steering Control Valve (01-9556)
3	146605B	Steering Control Valve (43-4566/68)
3	17-7283A1B	Steering Control Valve (Series II: 18-006)
4	50-1058B	Cylinder, 3pt Lift (2.5" rod)
4	01-4194B	Cylinder, 3pt Lift (Large Frame Ser II/III & IV) USE 50-1058B
5	18-1148B	Cylinder Asm (2-2119; WC, BC, IH 43/45/4786, 4366, & 4568)
5	18-1147B	Cylinder Asm (71342C92; Ser I/II C, P, and T)
5	50-2141B	PT Series III Cylinder Asm (9-14)
5	50-2589B	ST Series III Cylinder Asm (9-14)

Pumps & Pump Drives

Series I through 9XXX Steigers



View	Part	Description
1	50-1852B	Pump (3406 HD)
1	18-1629B	Pump (brass fittings inc, PIII/ST350 w/903)
1	18-1508B	Pump (Cat 3208, WC III, ST/RC210)
1	18-1415B	Pump (Cat 3208; Ser I & II BC and WC)
1	18-979B	Pump (Cat 3306; Cougar II)
1	50-1298B	Pump (Cat 3306; Ser III ST & PT225/250/270, & PTA 270)
1	50-1075B	Pump (Cat 3406, Ser III ST280/325 & PTA325)
1	50-3555B	Pump (Cummins 855; PII, Ser III ST220, ST&PTA251/280/310)
1	50-2095B	Pump (SIV Models w/ L10 engine)
1	18-582B	Pump (TII, 4bolt)
1	50-3239B	Pump, Charge (used w/50-1452)
1	2084564B	Pump, Hydraulic (AC 440)
1	50-3518B	Pump, Implement (Cummins 855; PII)
1	90-3911B	Pump, Lube (KS/CS w/3406 & TigerIV-9190)
1	S8000S00B	Pump, Lube (no adapter kit needed)
1	90-2723B	Pump, Lube (Ser 4, CA & CU)
1	90-3249B	Pump, Lube (Twin Disc, CP/KP 1325,1360,1400)
1	50-3547B	Pump, Piston (93XX)
1	50-1452B	Pump, Piston (late 1000 ser & early 91XX)
1	90-1058B	Pump, PTA Lube (3406)
1	50-1123B	Pump, PTA Lube (855)
2	90-5728B	Drive, Pump (CR/KR models)
3	20-2592B	Drive, Pump (Industrial models)
4	212784B	Coupler, Pump Drive (Cummins 855)
5	PDRV02NW	Front Mount Pump Drive (AC 440)
5	PDRV01NW	Front Mount Pump Drive (Cat 3208; Ser I-II BC/WC)