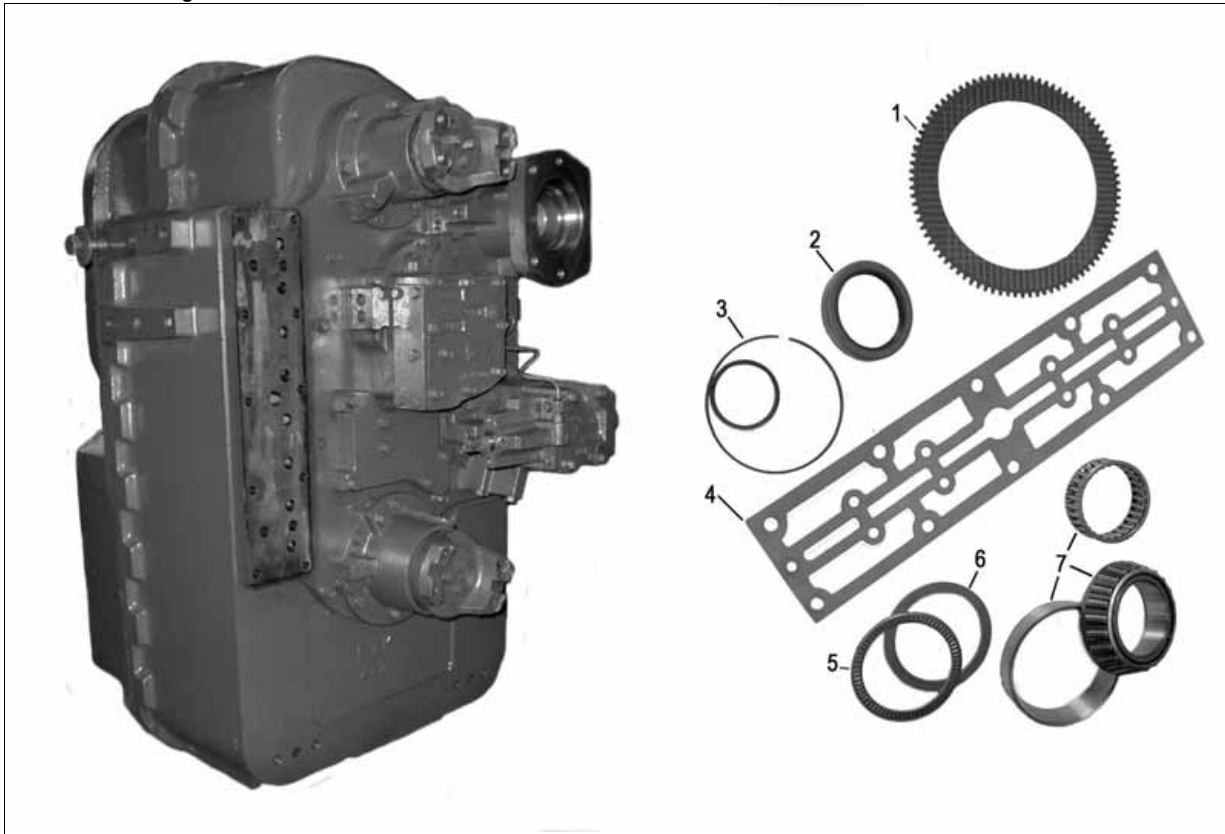


Fuji Transmission

1000 Series Steigers Thru 9300 Series CNH



View	Part	Description
	90-7014RM	Asm, Reman PS Transmission (9x10-9x40)
	90-7015RM	Asm, Reman PS Transmission (9x50-9x60)
	90-7016RM	Asm, Reman PS Transmission (9x70-9x80)
	33-1559B	Kit, Gasket-Seal Overhaul (#2-#7)
	90-7016BRGKIT	Kit, Trans Bearing & Thurst Washer Overhaul (#5-#7)
1	33-1518B	Plate, 7" Clutch
1	33-1519B	Plate, 8" Clutch (427534A1)
1	33-1520B	Plate, 9" Clutch
2	33-1412B	Seal, Input (428159A1)
2	33-1428B	Seal, Output (427514A1)
5	A75158B	Bearing, Thrust
5	572182R1B	Bearing, Thrust
6	S2220S00FB	Washer, Thrust
6	H144527B	Washer, Thrust
6	S5230S00FB	Washer, Thrust
7	S2030S00FB	Bearing, Caged Needle
7	80909C1B	Bearing, Caged Needle
7	ST2018AB	Bearing, Cone
7	529207R91	Bearing, Cone
7	ST2016AB	Bearing, Cone
7	54404R1B	Bearing, Cup
7	529208R1B	Bearing, Cup
7	90-6579B	Bearing, Cup

Note: Reman Transmissions come as pictured, with yokes and master/control valves. The 8 valve hydraulic manifold is not included.