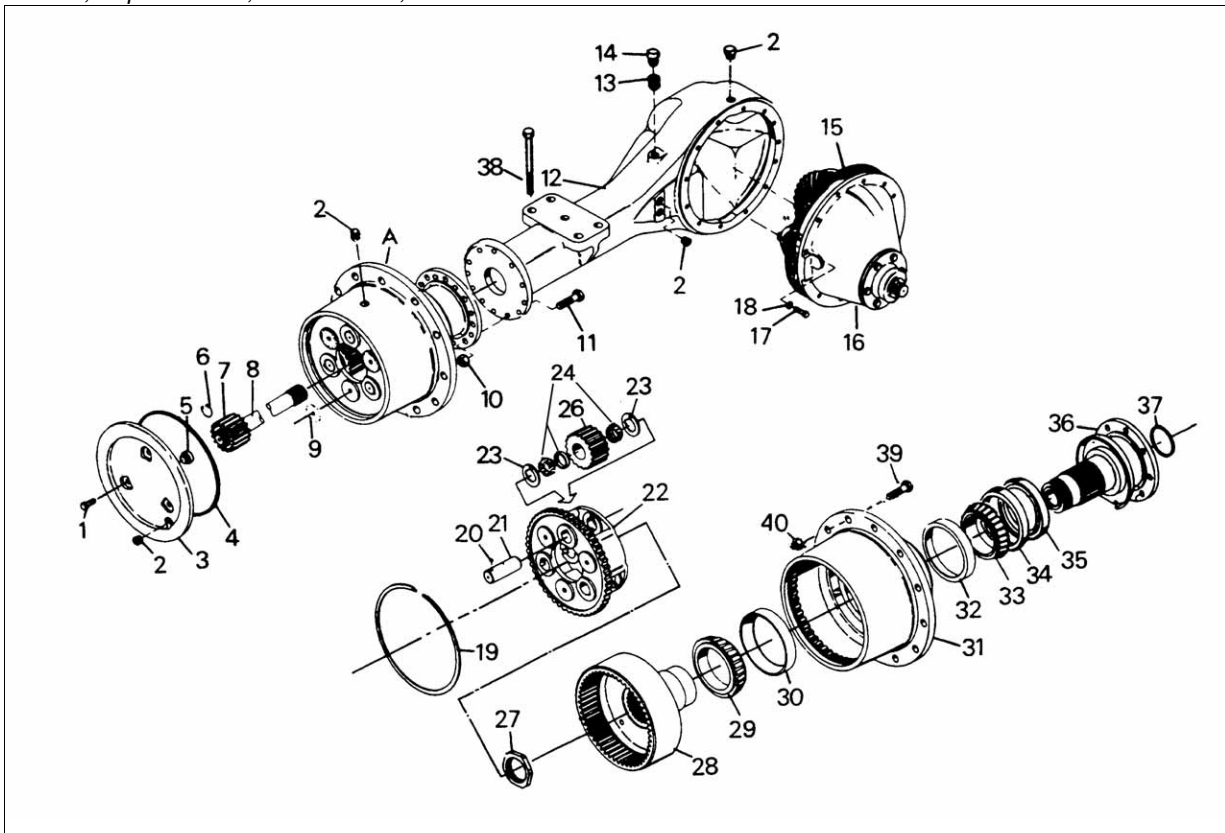


# Dana 235 Axles

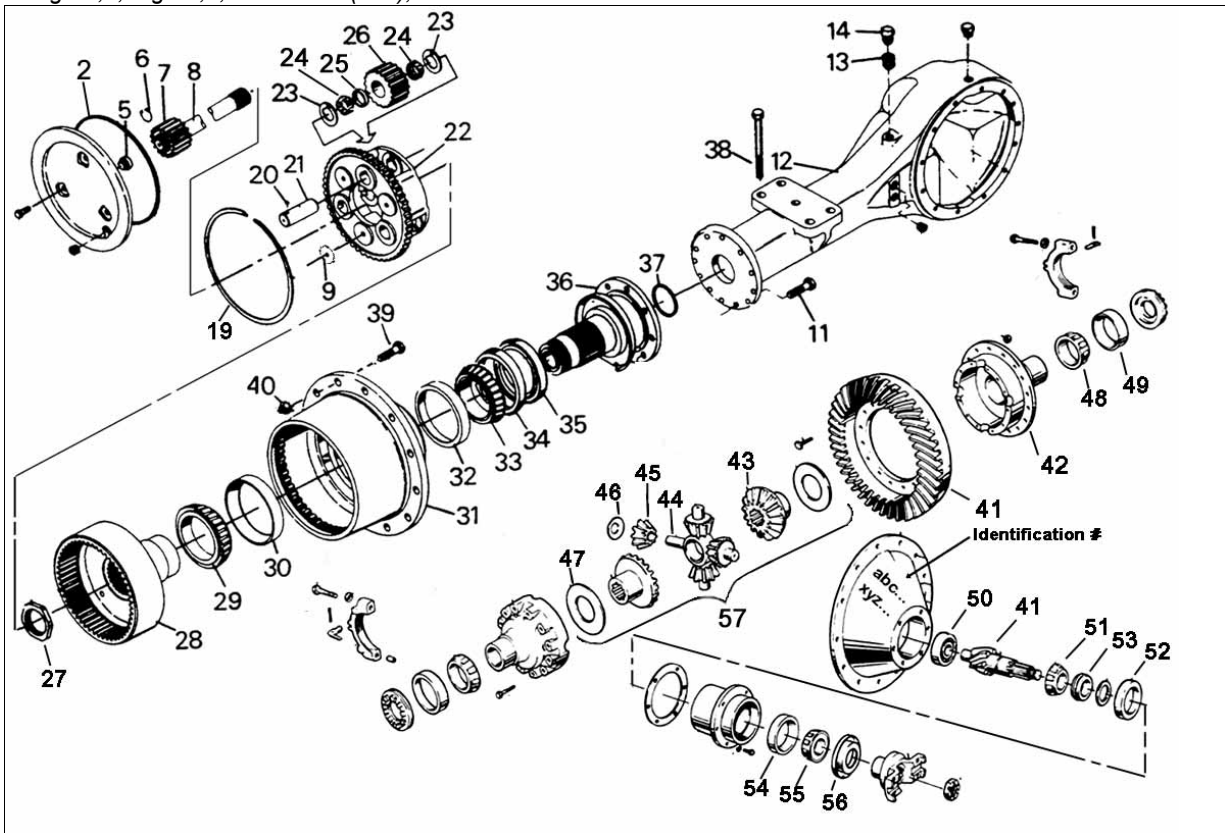
Wildcat, Super Wildcat, Bearcat I & II, Allis Chalmers 440



View	Part	Description
7	16-364B	Gear, Sun
21	16-366B	Shaft
24	35-078B	Needle Bearing & Spacer Kit (6/axle)
26	16-369B	Gear, Planet
29	16-85PRB	Bearing, Cup/Cone (item 29, 30; 48220/48290)
32	16-16B	Bearing, Cup
33	16-17B	Bearing, Cone
35	16-599B	Seal, Hub

# Dana 280 & 305 Axles

Cougar I,II; Tiger I,II; Bearcat III (220); Panther II



View	Part	Description
	90-1844B	Asm, Reman Diff (ratio 4.88, Fr)*
	90-1843B	Asm, Reman Diff (ratio 4.88, Rr)*
	98611-22B	Carrier, Diff (42-47)
	S-9554B	Kit, Diff Bearing and Seal (48, 49, 50-56)
2	16-69B	O-ring, Planetary Cover (305)
7	16-601B	Gear, Sun
7	16-598B	Gear, Sun (A280)
21	16-075B	Shaft
21	16-366B	Shaft (A280)
24	16-77B	Bearing, Needle (52/gear)
24	35-078B	Needle Bearing & Spacer Kit (6/axle, A280)
25	16-79B	Spacer, Needle Bearing
26	16-600B	Gear, Planet
26	16-369B	Gear, Planet (A280)
29	16-85PRB	Bearing, Cup/Cone (item 29, 30)
32	16-16B	Bearing, Cup
33	16-17B	Bearing, Cone
33	16-853B	Bearing, Cone** (late style, Brg# 64433)
34	16-599B	Seal, Hub
41	01-2029B	Gear Set, Ring & Pinion (Fr)
41	01-2028B	Gear Set, Ring & Pinion (Rr)
56	16-60B	Seal, Pinion
57	35-1214B	Kit, Gear/Washer/Cross

Note: \*Take note of the count for the ring/pinion or record the numbers on the diff housing (as illustrated above) and the end of the pinion shaft.\*\*If item 35 present this is a late series axle.