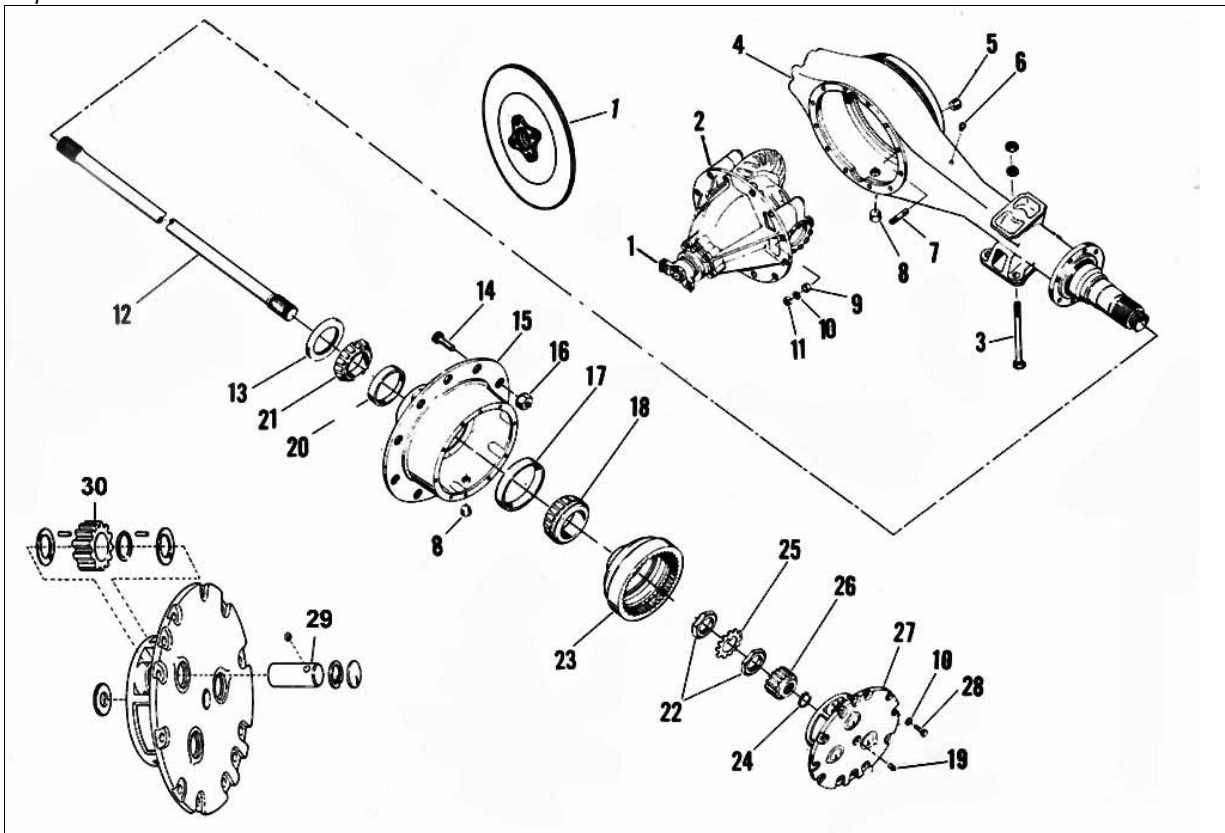


Small Clark Axles

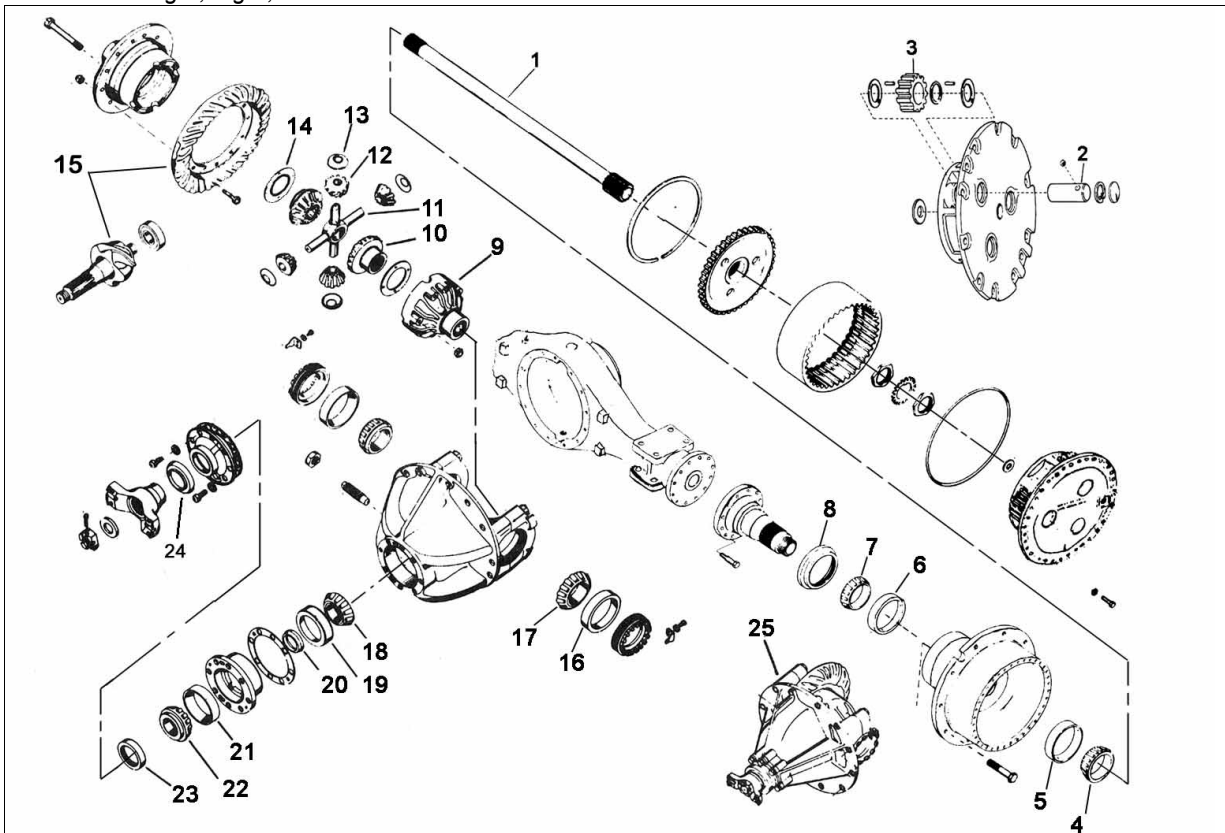
Super Wildcat and Series I & II: Wildcat and Bearcat



View	Part	Description
13	16-722B	Seal, Hub
17	16-91B	Bearing, Cup
18	16-718B	Bearing, Cone
20	16-720B	Bearing, Cup
21	16-721B	Bearing, Cone
26	16-541B	Gear, Sun
29	16-736B	Pin, Planet
30	16-733B	Gear, Planet

Large Clark Axles

Series I/II: Cougar, Tiger, and Panther



View	Part	Description
	1640BK	Bearing Kit (diff seals & bearings)**
	127603	Diff Carrier Kit (loaded w/needles)**
	16-1214B	Gear, Sun*
	667466	Kit, Needle Roller (diff carrier)**
	816044	Kit, Side/Bevel Gear (27 spline w/ needles)**
	816104	Kit, Side/Bevel Gear (27 spline w/o needles)**
	816105	Kit, Side/Bevel Gear (46 spline w/o needles)**
	16-196B	Pin, Planet*
1	16-841B	27 Spline Axle**
1	16-754B	46 Spline Axle**
2	16-774B	Planet Pinion Shaft**
3	16-1271B	Gear, Planet*
3	16-771B	Planet Pinion Gear**
4	16-755B	Bearing, Outer Cone (135648A1, 67390)**
4	16-1207B	Bearing, Outer Cone (A75263)*
5	16-1206B	Bearing, Outer Cup (135649A1, 67322)*/**
6	16-1202PRB	Bearing, Inner Cup/Cone (sold as pair, 797/792)*/**
7	16-1203B	see item #6, 16-1202PRB (792)*/**
8	16-1224B	Seal, Hub**
9	2109043	Case, Diff (use w/ needles)**
9	2109022	Case, Diff (use w/o needles)**
11	127814	Cross (use w/ needles)**
11	117105	Cross (use w/o needles)
13	118474	Washer Kit, Side/Bevel Gear (w/needles, 16-1236)**
14	118478	Washer Kit, Side/Bevel Gear (16-1236)**
15	2109205	Gear Set, Ring & Pinion (Fr, 7:44 compatible with 6:38)**
15	126581	Gear Set, Ring & Pinion (Fr, 8:37)**
15	2109202	Gear Set, Ring & Pinion (Rr, 7:44 compatible with 6:38)**
15	126565	Gear Set, Ring & Pinion (Rr, 8:37)**
24	16-1256B	Seal, Pinion**
26	16-192B	Bearing, Planet Needle (50/gear)*

Note: *Early Ser I/II Cougar & Tiger. **Later release Ser II Cougar, Panther, & Tiger only.